



Strip Wire Power Controller to 70A Strip Wire Series



FEATURES:

- Solid State Relay Assemblies rated to 80A/pole @ 40° C (100% duty cycle)
- Available in 1, 2 & 3 Pole configurations
- Relays approved to the following: UL, CSA, VDE and CE
- Zero cross switching standard
- LED status indicator & DIN mount standard
- Box clamp terminals with finger protection

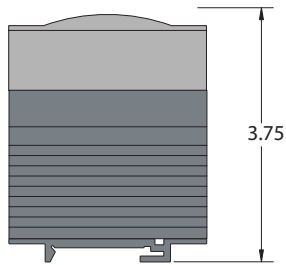
INPUT SPECIFICATIONS	AC Control					
	HBC-650CHAA	HBC-690CHAA	HBC-690CHAL	HBC-690CHAXK	HBC-690CHAN	HBC-690CHAK-2 3 Phase / 2 Pole
Control Voltage Range [Vrms]	90-140	90-140	90-140	90-140	90-140	90-140
Max. Turn-on Voltage [Vrms]	90	90	90	90	90	90
Min. Turn-off Voltage [Vrms]	10	10	10	10	10	10
Typical Input Current	15mA @ 120Vrms					
INPUT SPECIFICATIONS	DC Control					
	HBC-650CHDA	HBC-690CHDA	HBC-690CHDL	HBC-690CHDXK	HBC-690CHDN	HBC-690CHDK-2 3 Phase / 2 Pole
Control Voltage Range [Vdc]	4-32	4-32	4-32	4-32	4-32	4-32
Max. Turn-on Voltage [Vdc]	4.0	4.0	4.0	4.0	4.0	4.0
Min. Turn-off Voltage [Vdc]	1.0	1.0	1.0	1.0	1.0	1.0
Max. Input Current (Active current limited)	30	30	30	30	30	30
Typical Input Current	14mA @ 5Vdc					
OUTPUT SPECIFICATIONS						
Operating Voltage (47-63 Hz) [Vrms]	48-660	48-660	48-660	48-660	48-660	48-660
Load Current Range [Arms]	.04-30	.04-40	.04-50	.04-60	.04-70	.04-40/pole
Transient Overvoltage [Vpk]	1200	1200	1200	1200	1200	1200
Max. Surge Current, (16.6ms) (Apk)	625	1200	1200	1200	1200	1200
Max. On-State Voltage Drop [Vpk]	1.7	1.7	1.7	1.7	1.7	1.7
Max. Turn-on and Turn-off Time	1/2 cycle	1/2 cycle	1/2 cycle	1/2 cycle	1/2 cycle	1/2 cycle
Max. I ² t for fusing (8.3mS)	1620	6000	6000	6000	6000	6000
Max. Off-State Leakage Current [mArms]	1.0	1.0	1.0	1.0	1.0	1.0
Power Factor (Min.) with Max. Load	0.5	0.5	0.5	0.5	0.5	0.5

OPTIONS:

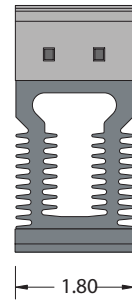
- 10 Random turn-on
- 2 3 Phase / 2 Pole configuration
- 3 3 Phase / 3 Pole configuration
- WH Wiring harness for multi-pole configurations
- E 24VAC Control (AC Control Only)

- M MOV - External transient voltage suppression
- P Internal transient voltage suppression
- TP Through panel-mount
- PM Panel Mount
- ND No DIN Clip
- CT Current Transducer

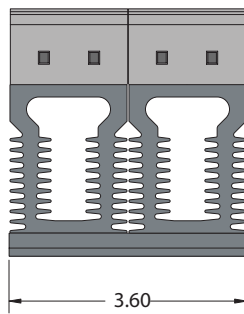
A Series
(HBC-690CHAA)



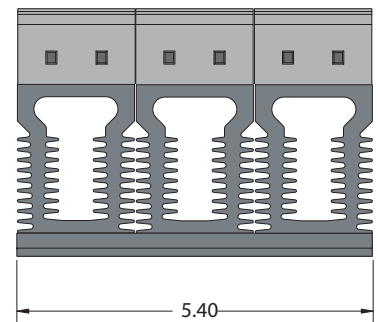
A Series
(HBC-690CHAA)



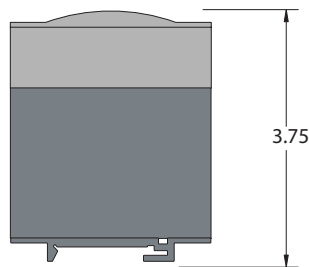
3 Phase/2 Pole
A Series (-2 Option)
(HBC-690CHAA-2)



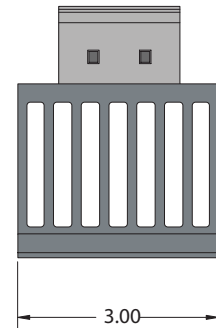
3 Phase/3 Pole
A Series (-3 Option)
(HBC-690CHAA-3)



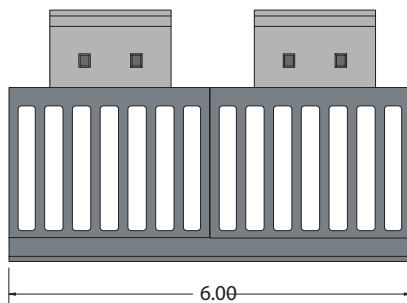
L Series
(HBC-690CHAL)



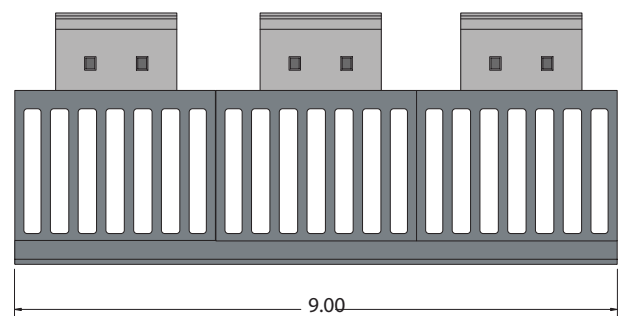
L Series
(HBC-690CHAL)

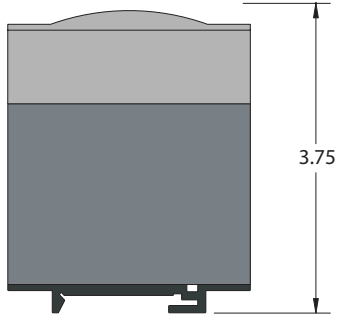


3 Phase/2 Pole
L Series (-2 Option)
(HBC-690CHAL-2)

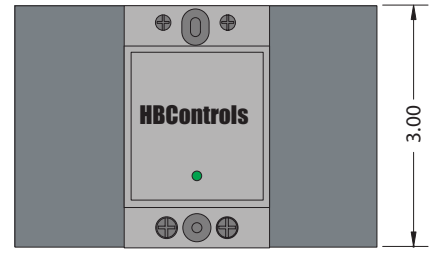


3 Phase/2 Pole
L Series (-3 Option)
(HBC-690CHAL-3)

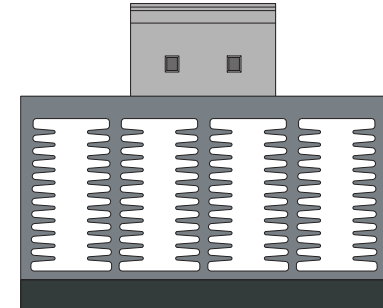
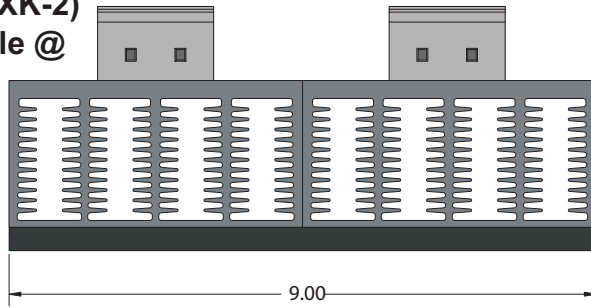




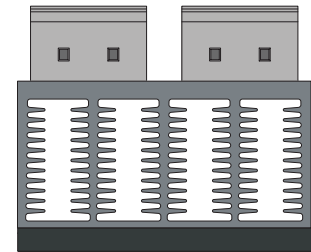
**K Series
HBC-690CHDXK)
60A/Pole**



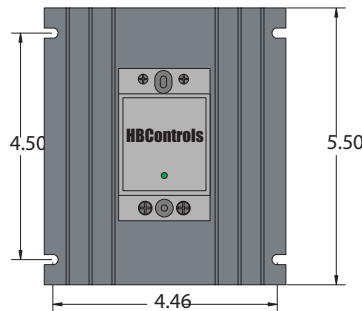
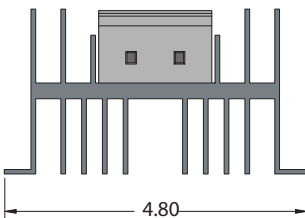
**K Series
(HBC-690CHDXK-2)
3 Phase / 2 Pole @
60A/Pole**



**K-2 Series
3 Phase / 2 Pole
HBC-690CHDK-2)
40A/Pole**



**N Series
HBC-690CHDN)
70A/Pole**



**N Series
HBC-690CHDN-2)
3 Phase / 2 Pole @
70A/Pole**

